

## FIN 905SF FIN 915SFH

**Converts the PWM output signal into a sinusoidal shape with residual < 5%  
dV/dt reduction**

**Motor losses reduction**

**Motor life increasing**

**Compact style**

**High speed motors application (FIN915SFH series)**

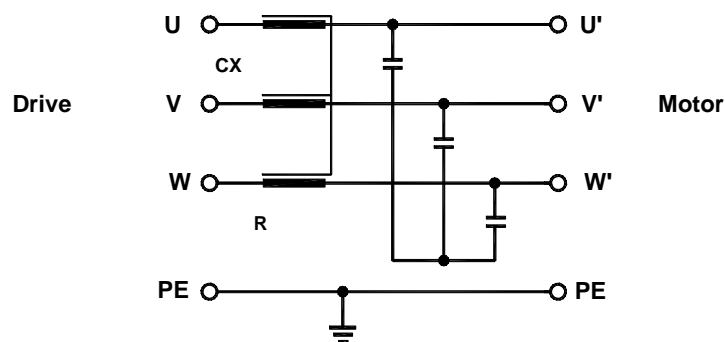
**Low heating for high frequencies application**

**No ventilation for high speed application**

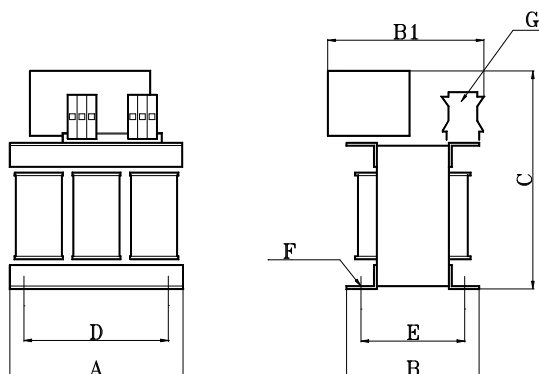
### Electrical characteristics

---

Nominal voltage	400 V <sub>AC</sub> -
Nominal current at ambient temperature of 40°C	See table
Test voltage (phase to phase)	2100 V <sub>DC</sub> (2 s)
Test voltage (phase to ground)	3000 V <sub>DC</sub> (2 s)
Motor frequency for FIN905SF	70 Hz
Motor frequency for FIN915SFH	< 1 kHz



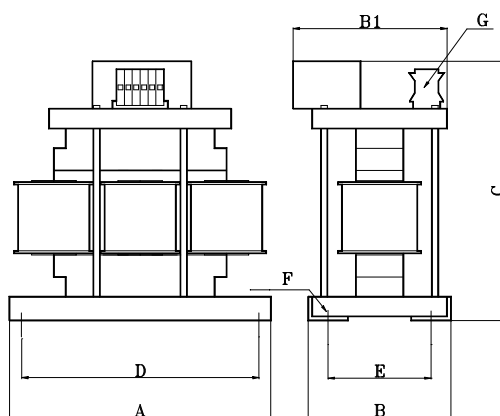
## FIN905SF Mechanical characteristics



Model	A	B	B1	C	D	E	F	G
FIN905SF.008.M	200	130	160	240	170	60	Ø 8	K10
FIN905SF.016.M	200	155	180	240	170	85	Ø 8	K10
FIN905SF.032.M	200	180	180	240	170	110	Ø 8	K10
FIN905SF.050.M	260	200	220	280	220	150	Ø 8	K35
FIN905SF.075.M	260	225	220	280	220	175	Ø 8	K35
FIN905SF.100.M	300	200	220	330	270	130	Ø 10	K35
FIN905SF.150.M	360	220	260	400	320	150	Ø 10	K50
FIN905SF.200.M	360	260	290	410	320	190	Ø 10	K95
FIN905SF.250.M	420	260	290	410	320	190	Ø 10	K95

Dimensions in mm

## FIN915SFH Mechanical characteristics



Model	A	B	B1	C	D	E	F	G
FIN915SFH.008.M	280	180	200	280	250	110	Ø 12	K10
FIN915SFH.016.M	280	180	200	280	250	110	Ø 12	K10
FIN915SFH.032.M	280	180	200	350	250	110	Ø 12	K10
FIN915SFH.050.M	330	180	200	360	300	110	Ø 12	K35
FIN915SFH.075.M	390	180	200	360	360	110	Ø 12	K35
FIN915SFH.100.M	400	230	250	360	370	170	Ø 12	K35
FIN915SFH.150.M	540	260	300	375	500	200	Ø 12	K50
FIN915SFH.200.M	540	260	300	460	500	200	Ø 12	K95
FIN915SFH.250.M	540	260	300	460	500	200	Ø 12	K95

Dimensions in mm