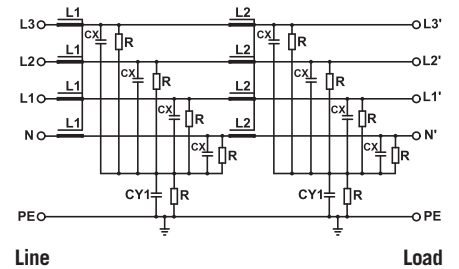



ELECTRIC CHARACTERISTICS

| | |
|------------------------------|--|
| Nominal Voltage | 0/600 V_{ac} - 50/60 Hz |
| Phase to phase test voltage | 2700 V_{dc} (2 s) |
| Phase to ground test voltage | 3200 V_{dc} (2 s) |
| Climatic class | -25 / +85 °C |



| FIN1940 | Nominal current (A) | | ΣCx (μF) $\pm 5\%$ | Cy1 (nF) $\pm 5\%$ | Cy2 (nF) $\pm 5\%$ | L1 (mH) $\pm 10\%$ | L2 (mH) $\pm 10\%$ | Pow loss (W) |
|---------|---------------------|---------|--------------------------------------|-----------------------|-----------------------|-----------------------|-----------------------|--------------|
| | TA=40°C | TA=55°C | | | | | | |
| .006.M | 4X8 | 4X6 | 20 | 1000 | 100 | 1.5 | 1.5 | 6 |
| .012.M | 4X14 | 4X12 | 20 | 1000 | 100 | 1.5 | 1.5 | 8 |
| .016.M | 4X18 | 4X16 | 60 | 1000 | 100 | 1.4 | 1.4 | 10 |
| .025.M | 4X28 | 4X25 | 60 | 1000 | 100 | 1.3 | 1.3 | 15 |
| .032.M | 4X35 | 4X32 | 60 | 1000 | 100 | 1.2 | 1.2 | 20 |
| .042.M | 4X50 | 4X42 | 60 | 1000 | 100 | 1.1 | 1.1 | 35 |
| .055.M | 4X63 | 4X55 | 60 | 1000 | 100 | 1.1 | 1.1 | 41 |
| .070.M | 4X80 | 4X70 | 60 | 1000 | 100 | 1 | 1 | 55 |
| .080.M | 4X90 | 4X80 | 60 | 1000 | 100 | 1 | 1 | 61 |
| .100.M | 4X110 | 4X100 | 60 | 1000 | 100 | 0.9 | 0.9 | 92 |
| .115.M | 4X130 | 4X115 | 60 | 1000 | 100 | 0.8 | 0.8 | 116 |
| .150.M | 4X175 | 4X150 | 60 | 1000 | 100 | 0.7 | 0.7 | 124 |
| .200.M | 4X230 | 4X200 | 60 | 1000 | 100 | 0.6 | 0.6 | 131 |

FIN1940 ELECTRIC DIAGRAM


Nominal <10mA
Worst condition <80mA

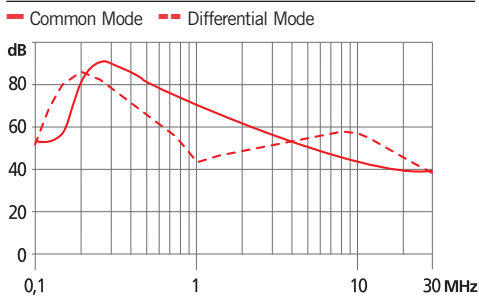
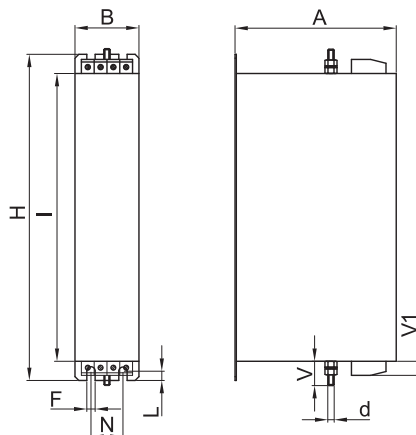
Total leakage current at 230 V phase to ground 50 Hz / 40°C

MECHANICAL DIMENSIONS (mm)

| FIN1940 | A | B | V | V1 | F | H | I | L | N | d | Weight Kg |
|---------------|-----|-----|------|----|---|-----|-----|----|-----|-----|-----------|
| .006.M/.012.M | 140 | 60 | 19 | 16 | 6 | 226 | 200 | 7 | 38 | M6 | 1,9 |
| .016.M | 177 | 70 | 19 | 16 | 6 | 267 | 237 | 8 | 44 | M6 | 1,9 |
| .025.M/.032.M | 177 | 70 | 19 | 16 | 6 | 267 | 237 | 8 | 44 | M6 | 2,5 |
| .042.M | 177 | 80 | 19 | 34 | 6 | 295 | 265 | 8 | 54 | M6 | 3,7 |
| .055.M | 177 | 80 | 19 | 33 | 6 | 295 | 265 | 8 | 54 | M6 | 3,9 |
| .070.M/.080.M | 205 | 100 | 28,5 | 38 | 8 | 390 | 340 | 12 | 73 | M10 | 6,2 |
| .100.M/.115.M | 205 | 100 | 28,5 | 43 | 8 | 390 | 340 | 12 | 73 | M10 | 7,5 |
| .150.M/.200.M | 220 | 130 | 28,5 | 50 | 8 | 420 | 370 | 12 | 103 | M10 | 9,4 |

TERMINAL BLOCK (mm²)

| Terminals | Rigid Cable | Flexible Cable |
|-----------|-------------|----------------|
| K6 | 0.2 - 10 | 0.2 - 6 |
| K6 | 0.2 - 10 | 0.2 - 6 |
| K6 | 0.2 - 10 | 0.2 - 6 |
| K10 | 0.5 - 16 | 0.5 - 10 |
| K16 | 0.5 - 25 | 0.5 - 16 |
| K25 | 6 - 35 | 10 - 25 |
| K50 | 16 - 50 | 16 - 50 |
| K95 | 25 - 95 | 35 - 95 |

INSERTION LOSS

CASE

ASSEMBLING
