



ELECTRIC CHARACTERISTICS

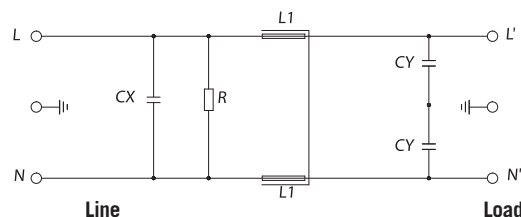
Nominal Voltage	0/250 V _{AC} - 50/60 Hz
Phase to phase test voltage	1450 V _{DC} (2 s)
Phase to ground test voltage	2150 V (2 s)
Climatic class	-25 / +85 °C



FIN60	Nominal current at 40°C (A)	C _x (μF)	L ₁ (mH)	C _y (nF)	Power loss (W)
.001.VF	1	0,047	1	2,2	1
.003.VF	3	0,047	1	2,2	2
.006.VF	6	0,047	1	2,2	3
Leakage current at 230 V phase to ground- 50 Hz / 40°C					< 1mA

Available on request for medical devices

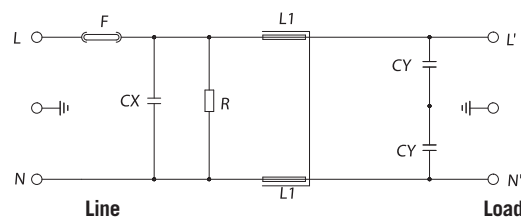
ELECTRIC DIAGRAM



FIN70	Nominal current at 40°C (A)	C _x (μF)	L ₁ (mH)	C _y (nF)	Power loss (W)
.001.VFF	1	0,1	1	2,2	1
.003.VFF	3	0,1	1	2,2	2
.006.VFF	6	0,1	1	2,2	3
Leakage current at 230 V phase to ground- 50 Hz / 40°C					< 1mA

Available on request for medical devices

ELECTRIC DIAGRAM

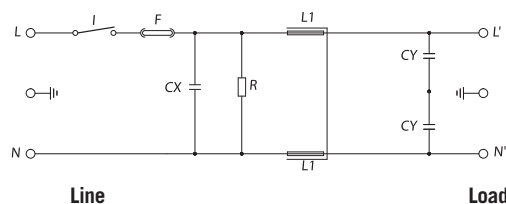


FIN80	Nominal current at 40°C (A)	C _x (μF)	L ₁ (mH)	C _y (nF)	Power loss (W)
.001.VFI	1	0,1	1	2,2	1
.003.VFI	3	0,1	1	2,2	2
.006.VFI	6	0,1	1	2,2	3
Leakage current at 230 V phase to ground- 50 Hz / 40°C					< 1mA

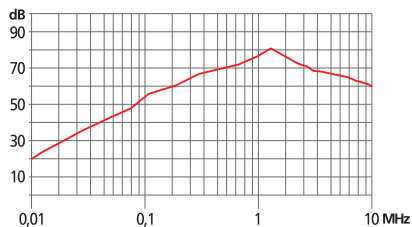
Available on request 10A

Available on request for medical devices

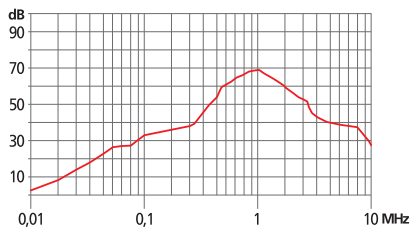
ELECTRIC DIAGRAM



COMMON MODE ATTENUATION

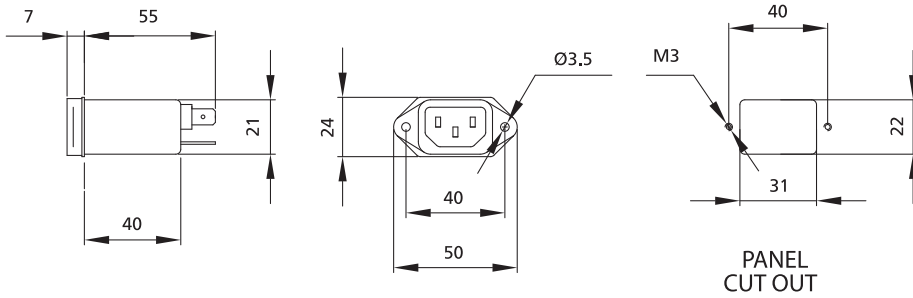


DIFFERENTIAL MODE ATTENUATION

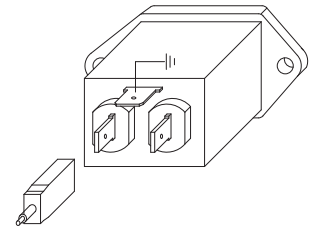


FIN60

MECHANICAL DIMENSIONS (mm)

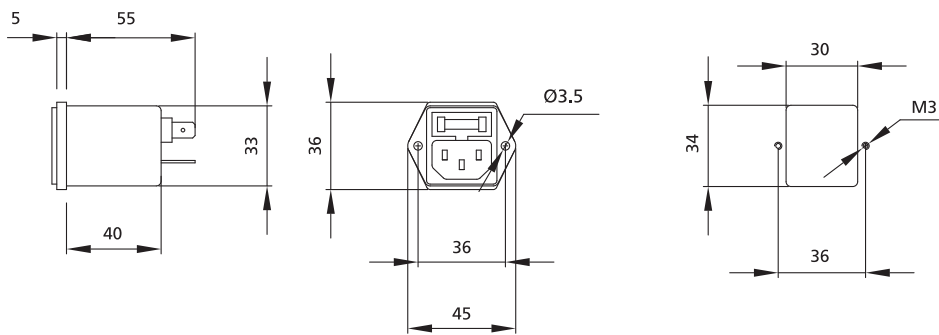


ASSEMBLING

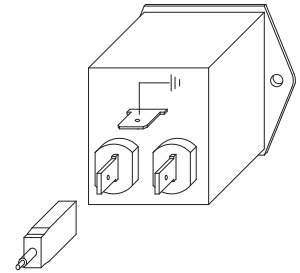


FIN70

MECHANICAL DIMENSIONS (mm)

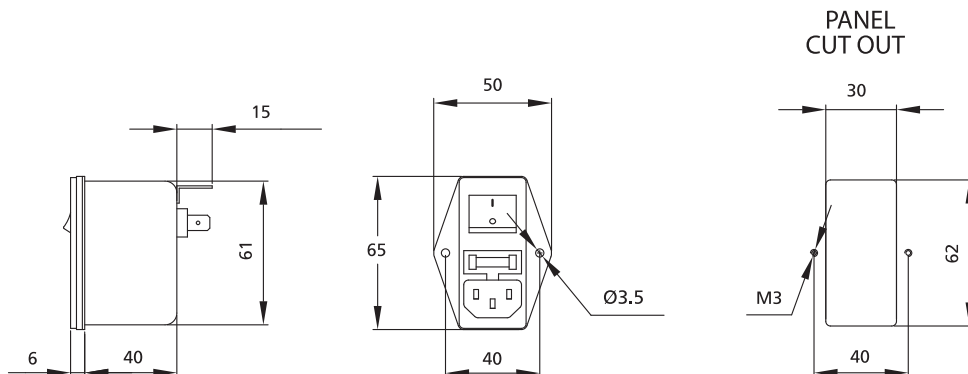


ASSEMBLING



FIN80

MECHANICAL DIMENSIONS (mm)



ASSEMBLING

